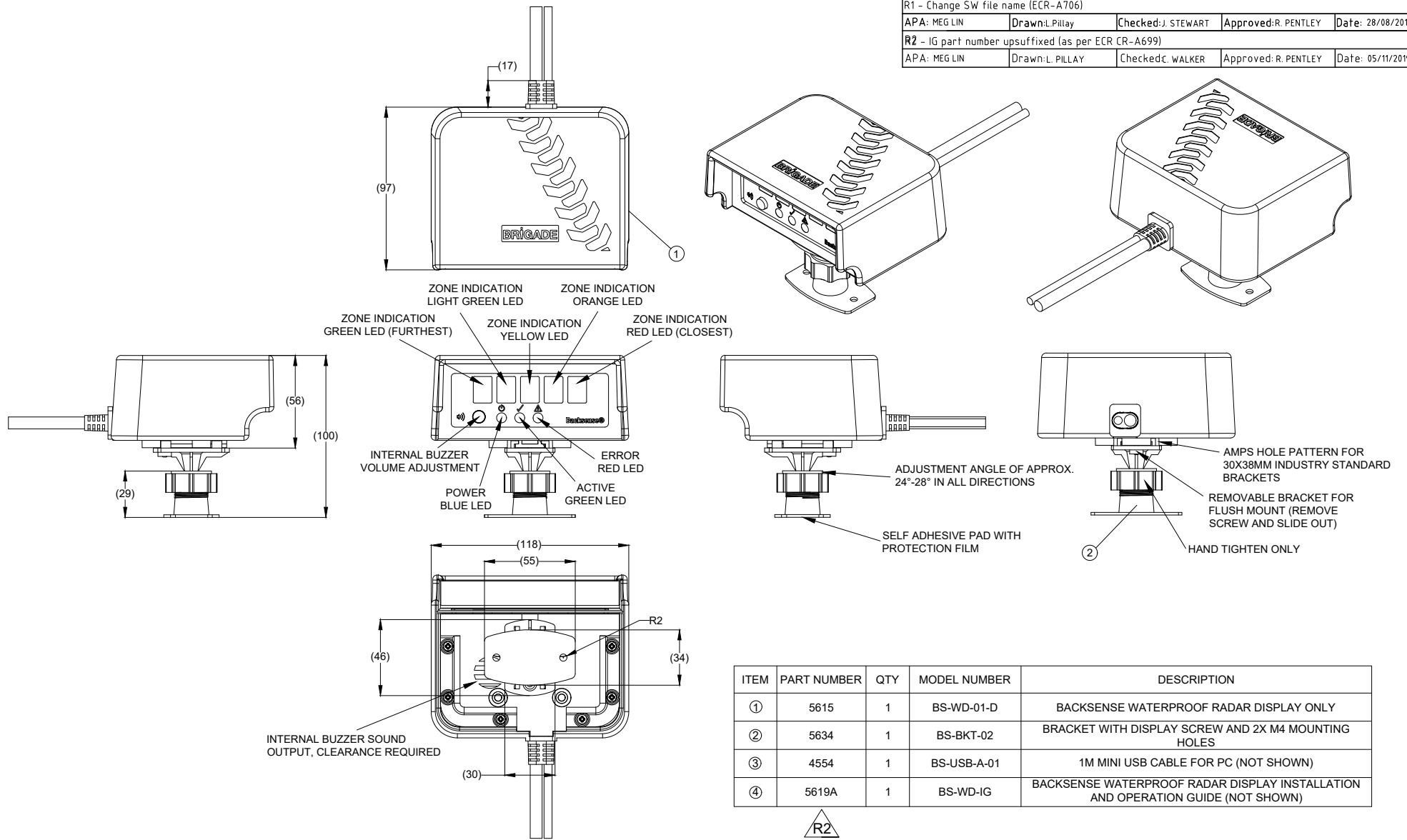


Revision Notes.				
R1 - Change SW file name (ECR-A706)				
APA: MEG LIN	Drawn: L. Pillay	Checked: J. STEWART	Approved: R. PENTLEY	Date: 28/08/2019
R2 - IG part number upsuffixed (as per ECR CR-A699)				
APA: MEG LIN	Drawn: L. PILLAY	Checked: C. WALKER	Approved: R. PENTLEY	Date: 05/11/2019



ITEM	PART NUMBER	QTY	MODEL NUMBER	DESCRIPTION
①	5615	1	BS-WD-01-D	BACKSENSE WATERPROOF RADAR DISPLAY ONLY
②	5634	1	BS-BKT-02	BRACKET WITH DISPLAY SCREW AND 2X M4 MOUNTING HOLES
③	4554	1	BS-USB-A-01	1M MINI USB CABLE FOR PC (NOT SHOWN)
④	5619A	1	BS-WD-IG	BACKSENSE WATERPROOF RADAR DISPLAY INSTALLATION AND OPERATION GUIDE (NOT SHOWN)

- NOTES:**
1. MATERIAL: PC IV2200R (f1).
  2. COLOUR: BLACK.
  3. FINISH: MOST SURFACES TO HAVE GRAIN STRUCTURE FINISH.
  4. REFER TO PRODUCT SPECIFICATIONS FOR MORE DETAILS.
  5. THE OUTSIDE CABLE INSULATION MUST END MINIMUM 20MM WITHIN THE BOOT.
  6. REFER TO MASTER BOM FOR PACKAGING INFORMATION
  7. FIRMWARE VERSION 'BS-WD01\_0605\_V2.hex' TO BE PRELOADED TO THE LED DISPLAY DURING MANUFACTURING.

**PROPRIETARY NOTICE**

THIS DESIGN AND TECHNICAL INFORMATION APPEARING ON THIS DRAWING IS THE PROPERTY OF BRIGADE ELECTRONICS, AND IS DISCLOSED IN CONFIDENCE. IT IS NOT TO BE COPIED, REPRODUCED, REVEALED TO OR EXPROPRIATED BY OTHERS, EITHER IN WHOLE OR IN PART WITHOUT THE EXPRESS WRITTEN CONSENT OF BRIGADE ELECTRONICS.

**BRIGADE**  
www.brigade-electronics.com

Assembly Pl Approval M. LIN	Approved by S. LAVER	Checked by L. PILLAY	Released 13/06/19	Drawn by S. Robertson	Assembly Ref -
Angle of Projection 	Units mm	Scale N/A	Status RELEASED	BS-WD-01	
Third Angle	Part No 5593	BE-003872-02-18			